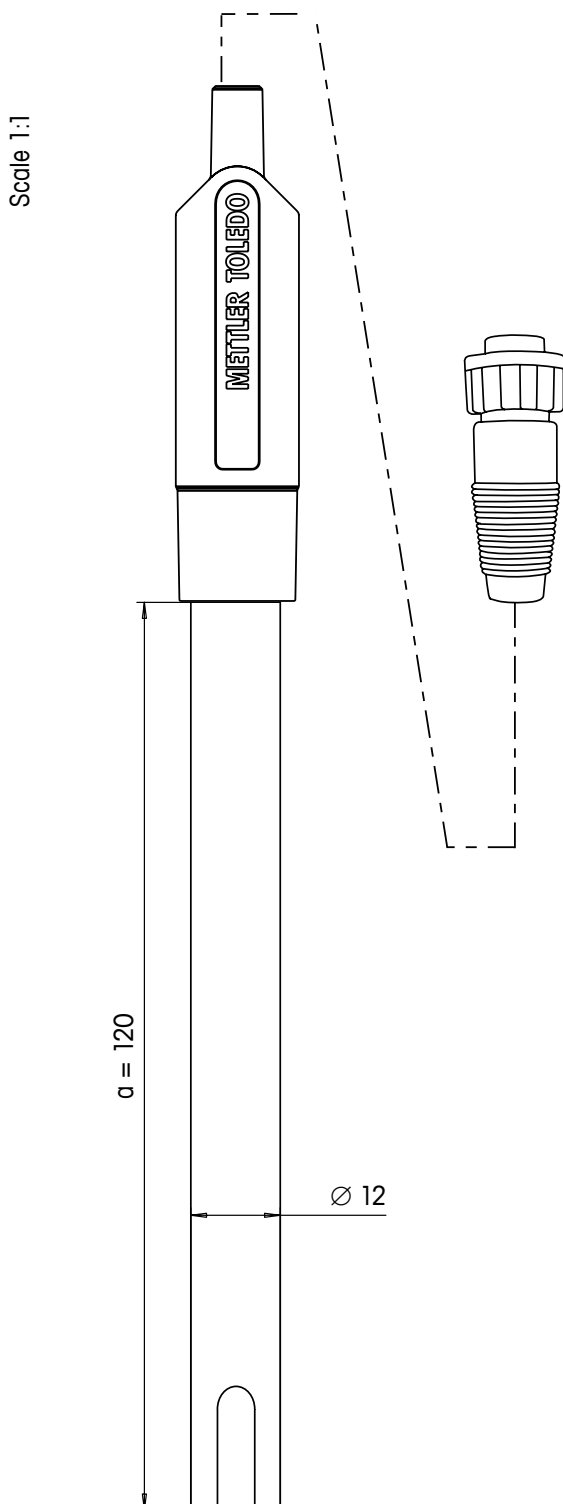


InLab[®] 738-5m

Cond °C ISM



For portable applications in the lab and outdoor.
Ideal for standard and high conductivity samples.



Sensor type conductivity cell

Order number 51344122

Specifications

measuring range 0.01...1000 mS/cm

zero point (pH) -

temperature range 0...100 °C

temperature probe NTC 30 kΩ

shaft material epoxy

membrane glass -

membrane resistance -

reference system -

reference diaphragm -

reference electrolyte -

bridge electrolyte -

electrode head -

cable length 5 m

connector LTW (IP67)

cell constant (cm⁻¹) 0.57

cell type 4 graphite poles

indicating metal -

Storage

dry